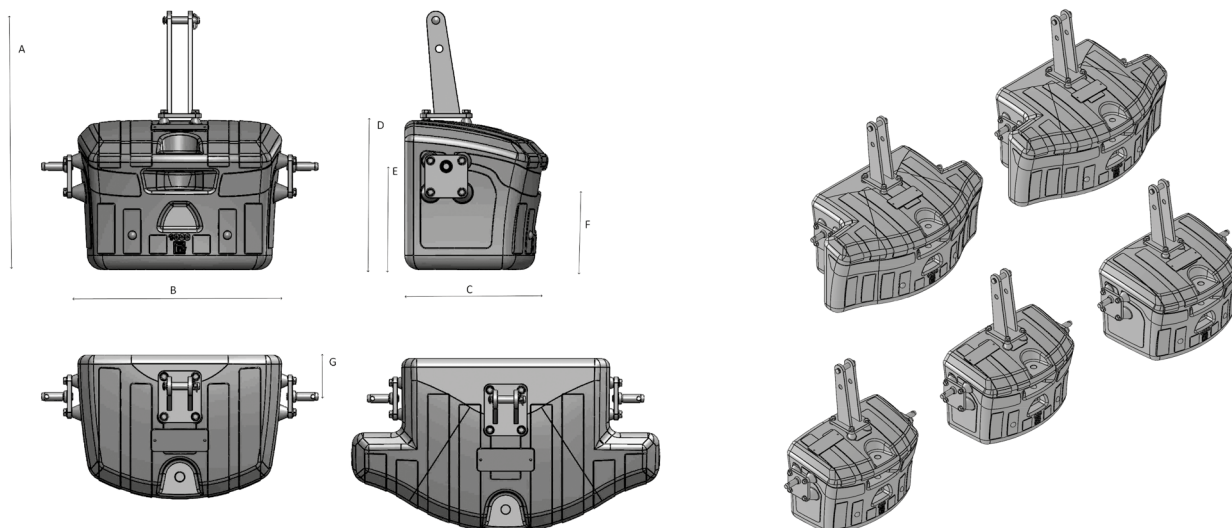


ÜBERSICHT GUSSCOM

Model	A [mm]	B [mm]	C [mm]	D [mm]	E [mm]	F [mm]	G [mm]
600 kg GUSSCOM	865	710	415	520	350	275	135
800 kg GUSSCOM							
1000 kg GUSSCOM	870	710	500	520	360	275	145
1250 kg GUSSCOM	875	1075	600	520	360	275	140
1500 kg GUSSCOM							
500 kg GUSSCOM ADD	570	965	300	520		285	



ÜBERSICHT TW-REAR

Model	A [mm]	B [mm]	C [mm]	D [mm]	E [mm]	F [mm]
600 kg REAR	500	1160	760	320	880	270
900 kg REAR		1160	760	320	880	270
1250 kg REAR	500	2050	760	320	880	270
1450 kg REAR		2050	760	320	880	270

