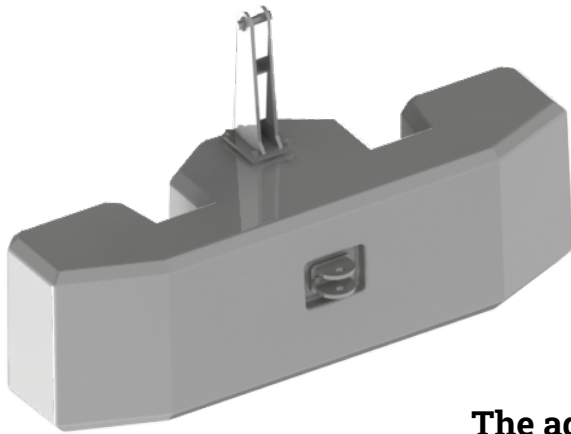




- MINERAL COUNTERWEIGHTS
- TECHNICAL MINERAL PARTS
- HEAVY WEIGHT CONCRETE

THE SHORT SERIES

COMPACT AND WIDE ON THE TRACTOR



SHORT-SERIE

the widened shape of the weight gives the tractor an aggressive look.

1250 kg, 1400 kg, 1800 kg, 2500 kg, 3000 kg

The advantages



Customer logos can be applied in relief.



Thanks to magnetite casting, SHORT weights are very compact on the tractor.



Thanks to the latest moulding and casting techniques, these weights are characterised by even more beautiful surfaces.



Top link tower as well as pin plates are bolted and thus exchangeable.

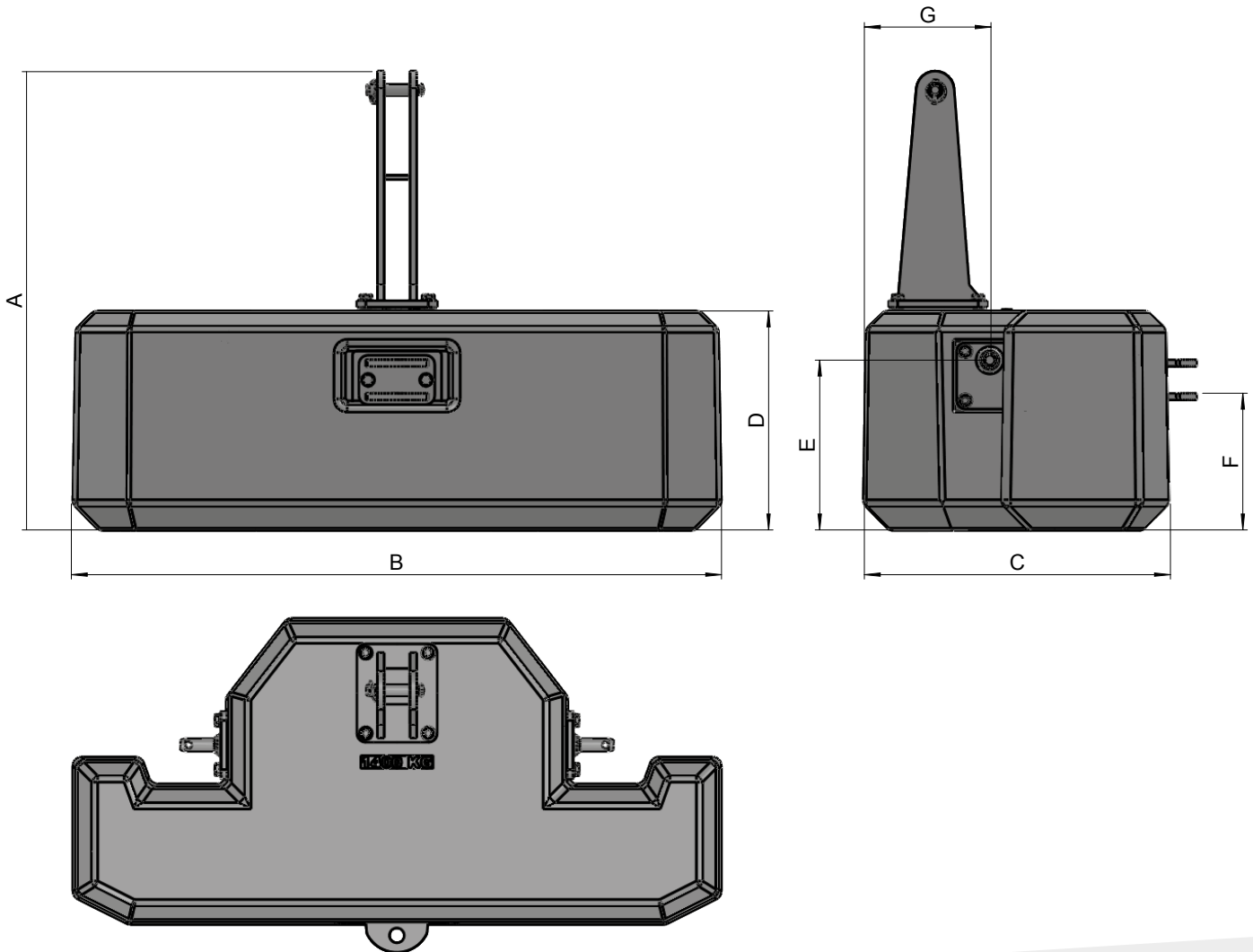


Our weights are all equipped with a manoeuvring coupling, which makes it possible to quickly couple and uncouple vehicles.



OVERVIEW SHORT

| Model | A [mm] | B [mm] | C [mm] | D [mm] | E [mm] | F [mm] | G [mm] |
|---------|--------|--------|--------|--------|--------|--------|--------|
| 1250 kg | 1020 | 1450 | 685 | 490 | 380 | 306 | 245 |
| 1400 kg | | | | | | | |
| 1800 kg | 1020 | 1815 | 685 | 490 | 380 | 306 | 245 |
| 2500 kg | 1093 | 2200 | 718 | 650 | 450 | 330 | 286 |
| 3000 kg | | | | | | | |



Tenwinkel GmbH & Co.KG

Tenwinkel GmbH & Co.KG

Max-Planck-Str. 31

48691 Vreden

Tel: +49 (0) 2564-394938-0

Fax: +49 (0) 2564-394938-99

E-Mail: order@tenwinkel.com

www.tenwinkel.com

